



USER'S MANUAL

INFRARED LAMP

4003/10

Dear Customer,

We congratulate you on your purchase of a **VERRE & QUARTZ** lamp, which will bring you a full satisfaction. To ensure a good use, we recommend you to read carefully the following installation and use principles.

Precautions of use / Safety of use

- The IR* lamp has been designed to be used only under medical control
- Make sure that the person is not insensitive to heat.
- Use only the handle to modify the angle of incidence or to move the lamp.
- Check the stability of the IR 4003/10 lamp before using it.
- During a long period of use, there is an increase of temperature of the lamp head (until 95°C).
- Make sure that all the lamp parts have cooled down before any technical intervention.
- Never use inflammable products near the lamp (ether...).
- The usual precautions for electromedical devices must be respected:
 - Do not use the device in a room with a high humidity rate.
 - Do not place or store the device where it could fall into a water container (bath, sink...).
 - Disconnect the plug before cleaning the device or before any service operation (fuse replacement...).
 - When necessary replace fuses with fuses of the same type.
- Keep this manual, because it contains informations necessary for a good use of the IR lamp.
- Only the person who has fully read the manual and understood it are authorized to handle and use the IR 4003/10 lamp.

Purpose of the device

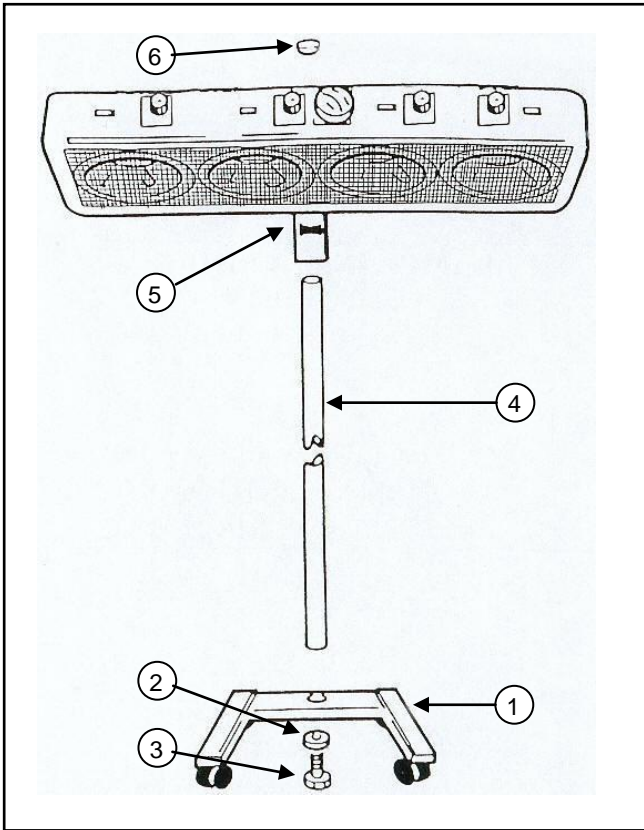
This medical device is intended for physiotherapy. It emits infrared rays giving a gentle heat, used additionally to the physiotherapy treatment to bring a complementary comfort and antalgic effect.

Technical features

Power	From 0 to 4 x 400W+/- 10%	Voltage :	230Vac 50/60Hz
Electric protection	Fuses 2X10A	Timer setting	From 0 to 60 minutes
Classification & electric type	Class I, type B	Length x width	96 x 29 cm
Height	From 70 cm to 170 cm	Radius	70 cm
Weight	Lamp head: 12kg, rolling stand: 7kg, total: 19kg		
Maximal temperature of device	95°C at the top of lamp head 45°C on the protection grid		
Environment conditions	Ambient temperature for operation : from 0°C to +40°C Humidity relative : from 30% to 75%		
Protection index	IPX0 : unprotected against water projections		
Standards & Regulations	EN 60-601-1 : Electromedical devices safety, EN 60-601-1-2 : Electromagnetic compatibility of the Electromedical devices, Complies with the CEE 93/42 directive		

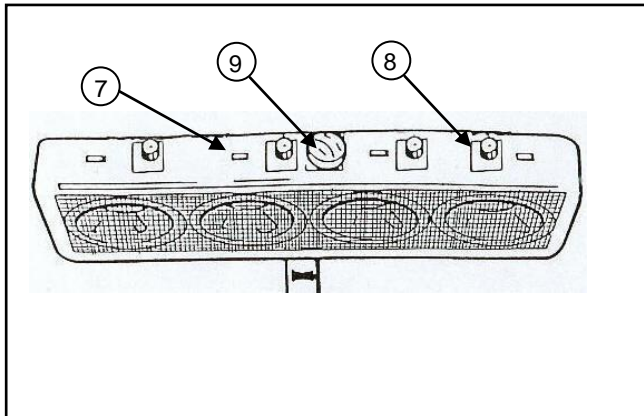
IR* lamp = infrared lamps

Assembly & installation



The lamp is equipped with a rolling stand. Put the tube (4) in the rolling stand (1). Put the washer (2) and tighten with the screw (3). Insert the support (5) of the lamp on the tube (4). Place it to the right height and tighten with the handle. Place the plastic cap (6) above the tube (4).

Operation




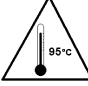



- Connect the supply cable on a 230 Vac/50Hz PLUG (10/16A).
- The lamp is equipped with one On/Off switch (7) per burner.
- To set the heat intensity, use each dimmer (8).
- To set the time of use, use the overall timer (9), adjustable from 0 to 60 min.

Materials in direct or indirect contact with the patient or the user:

Tube	Stainless steel
Handle, rolling stand	PVC
Lamp head, body, protection grid	Epoxy paint
Circline	Quartz

Symbols and abbreviations / Markings on the device.

W	Watt	V 	Volt alternating current	IPX0	Not protected against water projections
Hz	Hertz	O	OFF	I	ON
	Consult the enclosed documents		type B Device		Caution : high Temperature
	In compliance with the CEE 93/42 directive	Nr : 99020201	Serial number		

Service and Maintenance

Accordingly to the EN 60-601-1 (Annex A §6.8.2.b), « the manufacturer, the assembler, the installer or the importer considers himself as responsible for the effects of safety, reliability and apparatus feature only if:

The assembly, extensions, adjustments, modifications or repairs have been carried out by authorized people, and

- The electrical installation of the place is in accordance with regulations, and

- The apparatus is used in accordance with the instructions of use. »

The use of spare parts not in accordance with the instructions of the manufacturer clears his responsibility in case of incident.

Cleaning and disinfecting.

Use cleaning/disinfecting solution (with hydroalcoholic base) bearing the CE mark medical devices. Carefully follow the precautions of use from the manufacturer.

Cirline (burner) replacement.

The circline (the burner) is a wearing part. It is recommended to replace it around 1000h of use.

Remove the protection grid removing the fixing screws.

Remove the bolt on the burner to reach the burner.

Unscrew the screws on the porcelain socket on the burner's side.

Remove the 3 staples holding the burner on the plate.

Proceed the opposite way to place the new burner after having checked the good state of the components (cables, connections, fixings...).

Operation incidents.

The lamp does not switch on, even though the switch	<ol style="list-style-type: none"> 1. Check the supply connections 2. Check the timer (9) 3. Change the fuses 4. Change the burner (circline) 5. Call After-Sales service
The lamp does not give the wished heat power	<ol style="list-style-type: none"> 1. Adjust the power (dimmer (8)) 2. Change the burner (circline)

Discard of the device.

On life end of the device or its accessories, use the appropriate channels to discard them.

Upon request, we hold to you disposal the electrical diagrams, the parts list, the descriptions or any other information useful to technical personnel qualified to repair parts of the device considered as repairable by the manufacturer.

Verre et Quartz Technologies

Espace Vinci
 24 Avenue Graham Bell
 77600 Bussy Saint Georges
 France

Téléphone : +33 (0)1 64 66 20 33
 Téléfax : +33 (0)1 64 77 58 97
 Internet : www.verre-et-quartz.fr
 Email : info@verre-et-quartz.fr

